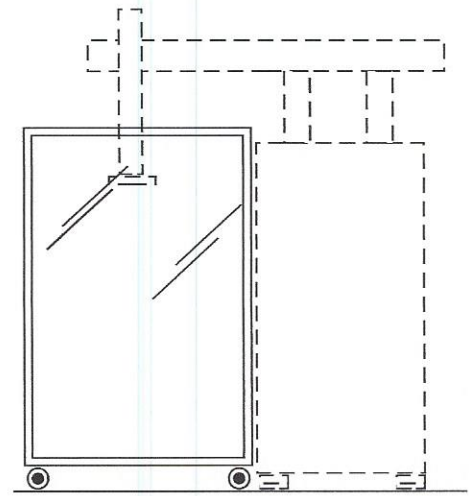
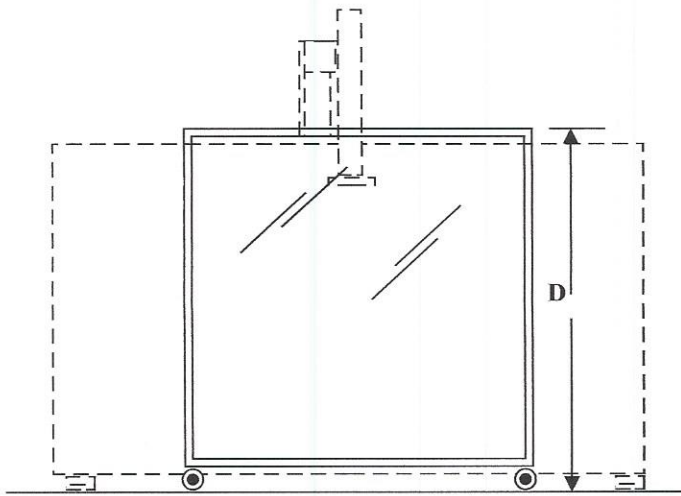
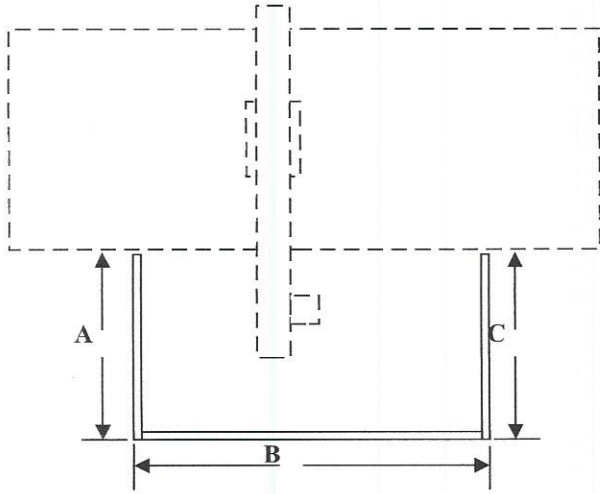


HFA ROBOT GUARD WORKSHEET



SPECIFICATIONS

DIMENSIONS...

A = _____ B = _____ C = _____ D = _____ (std. = 90")

WALL MATERIAL...

CLEAR LEXAN _____ AMBER ACRYLIC _____ YELLOW MESH _____

ACCESS DOOR...

SIZE = _____ LOCATION _____ SAFETY INTERLOCK _____

QTY. OF SIDES...

3-SIDED _____ 4-SIDED _____

OPENINGS IN WALL FOR CONVEYOR(S)...

SIZE = _____ LOCATION (describe) _____

MISC...

CASTERS (std.) _____ or PADS _____

CONVEYOR (if needed)...

LENGTH _____ WIDTH _____ HEIGHT _____ (OPTIONS) _____

Rick White

THERMAL TECH EQUIPMENT Co Inc

2704 NE 78th Street, Kansas City, MO 64119

Tel: : (816) 468-7577 Cell:(816) 289-1958

www.ttequip.com RickWhite@ttequip.com