

HFA 2260-ELEVATOR conveyor information/dimension sheet

Phone : 815-943-1195

Fax : 815-943-4030

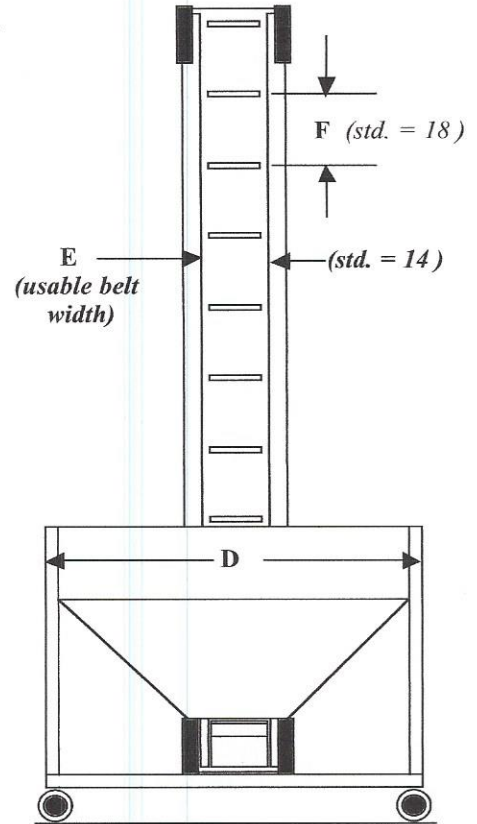
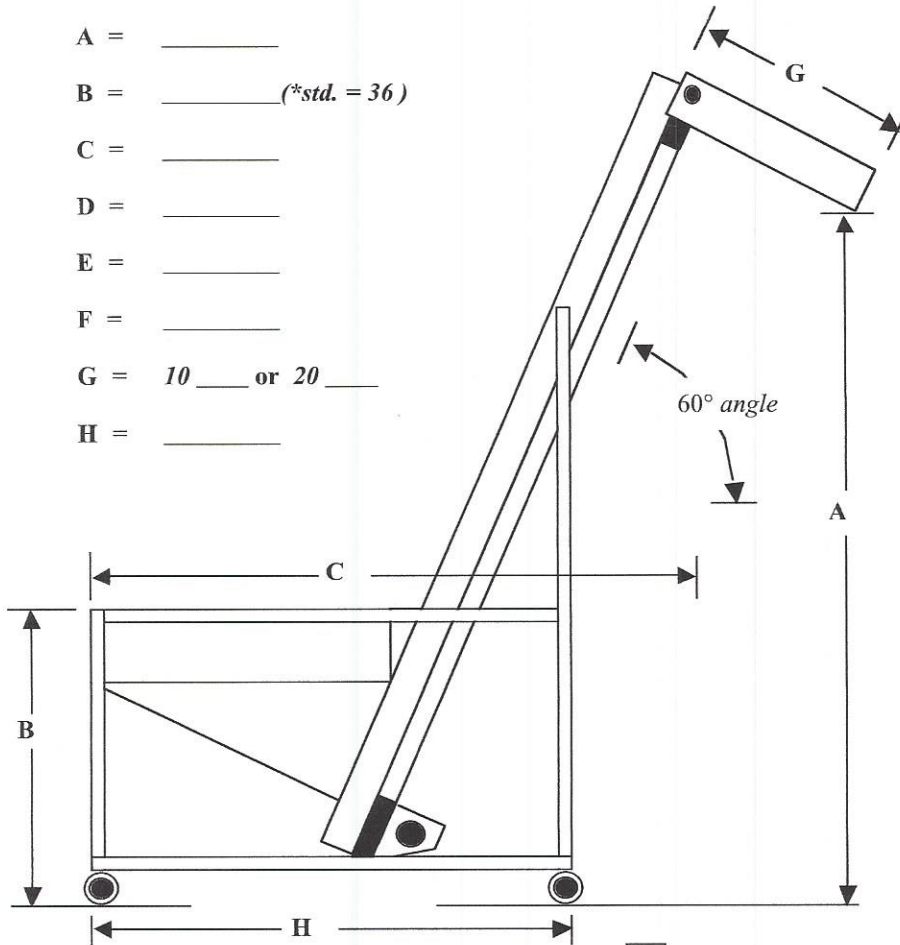
Email : john@hfaconveyors.com

Customer Information :

Name : _____ Ph : _____
 Company : _____ Fax : _____
 Address : _____ E-Mail : _____
 City / State / Zip : _____

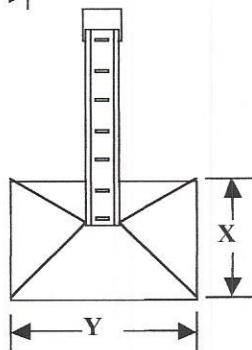
***CONVEYOR & HOPPER DIMS**

- A = _____
- B = _____ (*std. = 36)
- C = _____
- D = _____
- E = _____
- F = _____
- G = 10 ____ or 20 ____
- H = _____



***HOPPER CAPACITY (check one)**

- 8-10 cu. ft (X = 30 ; Y = 32)
- 14-16 cu. ft (X = 42 ; Y = 43)
- 24-26 cu. ft (X = 43 ; Y = 60)



****PLEASE NOTE :** The dimensions shown are based on average hopper sizes manufactured. These dimensions, and the volume (capacity) can be changed easily by allowing a taller loading height. (**Dimension B shown above).

***OPTIONS (check appropriate)**

- 5-25 FPM (AC) Variable Speed Drive
- Motor-Starter Control (stop/start belt VIA a signal)
- E-Stop Button

- Lexan cover on hopper also
- Other _____

*This form can also be found on our website: www.wt.com

Rick White
THERMAL TECH EQUIPMENT Co Inc
 2704 NE 78th Street, Kansas City, MO 64119
 Tel : (816) 468-7577 Cell:(816) 289-1958
www.ttequip.com RickWhite@ttequip.com